

Product data sheet

Characteristics

QO2175SB

Surge protection device, Surgebreaker, 22.5kA, 120/240 VAC, 1 phase, 3 wire, SPD type 2

Product availability : Stock - Normally stocked in distribution facility



Main

Product	Surge protection device
Range	Surge Breaker QO

Complementary

Surge Current	22.5 kA
Voltage Rating	120/240 V AC
Number of Phases	1 phase
Wiring Configuration	3-wire
MCOV	150 V 300 V
SCCR	22 kA
Local Signalling	1 LED green normal operation
Product destination	Load center QO
Height	3.7 in (93.98 mm)
Width	1.5 in (38.10 mm)
Depth	2.6 in (66.04 mm)

Environment

Enclosure Rating	NEMA 2
Ambient Operating	149 °F (65 °C)

Ordering and shipping details

Category	08461 - SURGE PROTECTION RESI
Discount Schedule	DE1B

* Price is "List Price" and may be subject to a trade discount – check with your local distributor or retailer for actual price.

GTIN	00785901210894
Package weight(Lbs)	0.65 lb(US) (0.29 kg)
Returnability	Yes
Country of origin	MX

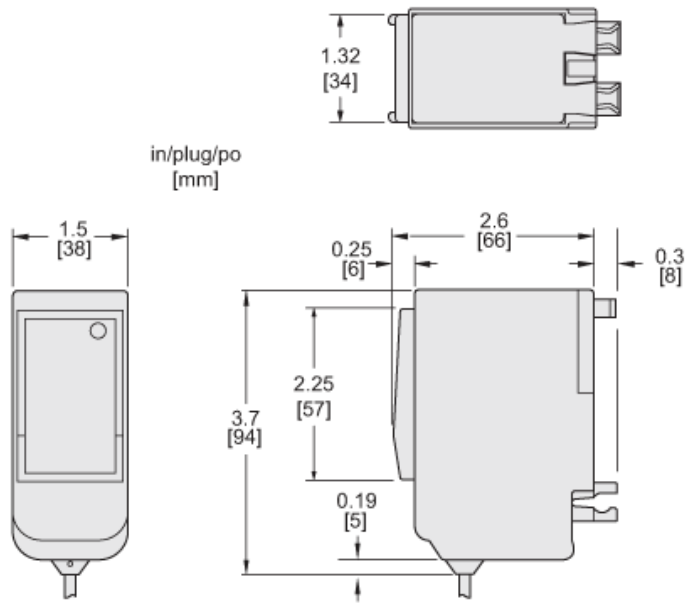
Offer Sustainability

EU RoHS Directive	Compliant EU RoHS Declaration
Mercury free	Yes
RoHS exemption information	Yes
China RoHS Regulation	China RoHS declaration Product out of China RoHS scope. Substance declaration for your information.

Contractual warranty

Warranty	18 months
----------	-----------

Approximate Dimensions



Dimensions

